

## Load Cell Pendeo<sup>®</sup> Truck


Digital weighing technology for reliable vehicle weighing



Digital Assistance  
Technology



German Quality

 The digital load cells in the Pendeo<sup>®</sup> Truck series are specially designed for vehicle weighing. They are designed such that, when combined with mounting kits, they can compensate for movement of the bridge structure. In combination with "DAT – Digital Assistance Technology" from Minebea Intec, the Pendeo<sup>®</sup> Truck also allows for the recording of valuable data about the weighing process.

The right solution for all of these applications:



Weighing



Filling and  
dosing

## Technical specifications

### General technical data for load cell Pendeo® Truck PR 6224

Parameters	Description	Abbr.	C3	C6	Unit
Accuracy class			0.015	0.008	%E <sub>max</sub>
Minimal dead load	Lowest limit of specified measuring range	E <sub>min</sub>	0		%E <sub>max</sub>
Maximum capacity	Highest limit of specified measuring range	E <sub>max</sub>	25 t and 50 t		t
Safe load limit	Maximum load possible without irreversible damage	E <sub>lim</sub>	150		%E <sub>max</sub>
Destructive load	Danger of mechanical destruction	E <sub>d</sub>	> 300		%E <sub>max</sub>
Minimum LC verification	Minimum load cell verification interval, $v_{min} = E_{max}/Y$	Y	14,000	20,000	
Rated output	Output signal at maximum capacity	C <sub>n</sub>	Standardised to E <sub>max</sub> in (t)		
Tolerance on rated output	Permissible deviation from rated output	d <sub>c</sub>	< 0.07	< 0.07	%C <sub>n</sub>
Zero output signal	Load cell output signal under unloaded condition	S <sub>min</sub>	< 1	< 1	%C <sub>n</sub>
Reproducibility	Max. change of output signal for repeated loading	ε <sub>R</sub>	< 0.005	< 0.005	%C <sub>n</sub>
Creep	Max. change of output signal at E <sub>max</sub> during 30 min.	d <sub>cr</sub>	< 0.015	< 0.008	%C <sub>n</sub>
Non-linearity	Deviation from best straight line through zero	d <sub>lin</sub>	< 0.01	< 0.01	%C <sub>n</sub>
Hysteresis	Max. difference in between loading and unloading	d <sub>hy</sub>	< 0.0165	< 0.008	%C <sub>n</sub>
Temperature effect (TK) of S <sub>min</sub>	Max. change of S <sub>min</sub> in B <sub>T</sub>	TK <sub>Smin</sub>	< 0.01	< 0.007	%C <sub>n</sub> /10 K
TK of parameter	Max. change of C in B <sub>T</sub>	TK <sub>c</sub>	< 0.01	< 0.005	%C <sub>n</sub> /10 K
Insulation impedance	Between measuring circuit and housing at 50 V <sub>DC</sub>	R <sub>IS</sub>	> 1,000 × 10 <sup>6</sup>		Ω
Nominal supply voltage range	In compliance with the technical data	B <sub>U</sub>	20 to 28		V
Nominal ambient temperature range	In compliance with the technical data	B <sub>T</sub>	-10 to +40		°C
Service temperature range	Continuous operation without damage	B <sub>TU</sub>	-30 to +70		°C
Storage temperature range	Without electrical and mechanical stress	B <sub>TI</sub>	-40 to +95		°C
Marginal eccentricity	Accepted distance from measuring axis	S <sub>ex</sub>	5		mm
Vibration resistance	Resistance against oscillations (IEC 68-2-6-Fc)		20 g, 100 h, 10 to 150 Hz		
Barometric pressure influence	Barometric pressure influence on the output signal	PK <sub>Smin</sub>	< 420		g/kPa
Nominal deflection	Max. elastic deforming under maximum capacity	S <sub>nom</sub>	25 t: < 0.5 50 t: < 0.8		mm
Material (housing)	Stainless steel 1.4301, AISI 304				
Protection class	IP68/IP69				
Cables	Length: 20 m Diameter: 5.8 mm Cross section: 4 × 0.35 mm <sup>2</sup> Material of cable sheathing: TPE				
Bending radius	≥ 30 mm in case of fixed installation ≥ 70 mm in case of flexible installation				

## Mounting kits for load cell Pendeo® PR 6224

Maximum capacity of the load cell PR 6224	Mounting kit/accessories	Material	Description/comments	Mounting screws	Height (mm)
25 t-50 t	PR 6021/01N	Electrogalvanised steel, chromated and sealed (RoHS-compliant)	Mounting kit incl. Load disc and base component	M12-8.8	190.5
	PR 6021/03N		Mounting kit incl. Load disc and base component with anti-rotation protection		
	PR 6021/05N		Mounting kit incl. Load disc (turbo load disc) and base component		
	PR 6021/07N		Mounting kit incl. Load disc (turbo load disc) and base component with anti-rotation protection		
	PR 6021/00N		Load disc and base component incl. ground strap	/	/
	PR 6021/02N		Load disc and base component with anti-rotation protection	/	/
	PR 6021/04N		Load disc (turbo load disc) and base component	/	/

## Cable junction box PR 6024

Parameters	PR 6024/64S	PR 6024/68S
Number of load cells	1 to 4	1 to 8
Material	1.4301, AISI 304	1.4404, AISI 316L
Protection class	IP66/IP68/IP69	IP66/IP68/IP69
ATEX approval	Zone 2/22	Zone 2/22
Service temperature range	-30°C to +80°C	-30°C to +80°C
Service temperature range in explosive atmospheres	-20 °C to +60 °C	-20 °C to +60 °C
Storage and transport	-30°C to +80°C	-30°C to +80°C
Supply voltage	24 V <sub>DC</sub>	24 V <sub>DC</sub>

## PR 6024/62S power supply unit

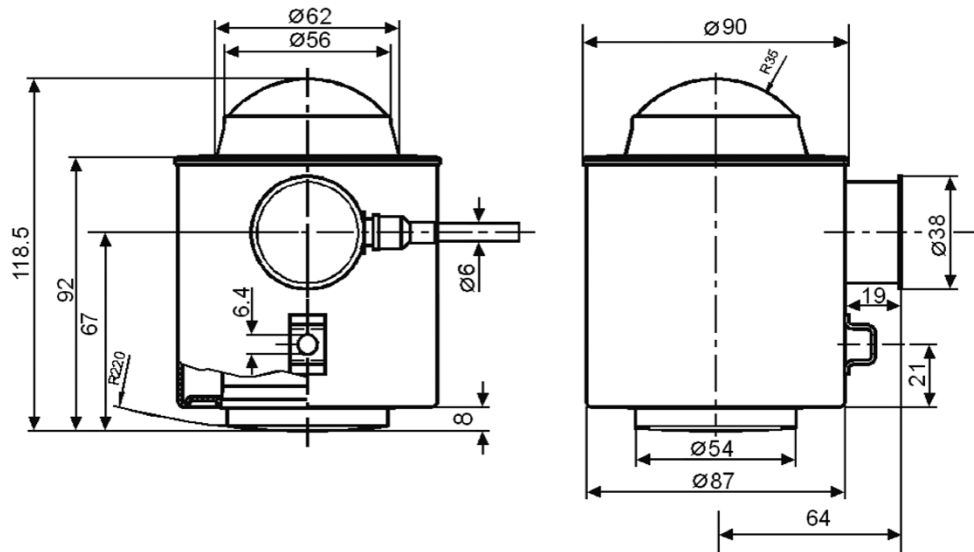
Parameters	PR 6024/62S
Material	1.4301, AISI 304
Protection class	IP66/IP68/IP69
ATEX approval	Zone 2/22
Service temperature range	-30°C to +80°C
Service temperature range in explosive atmospheres	-20 °C to +50 °C
Storage and transport	-30°C to +80°C
Supply voltage	100 to 240 V <sub>AC</sub> ±10%, 50/60 Hz
Power consumption	Max. 35 VA
Output voltage	24 V <sub>DC</sub>

## Supply and data cable PR 6124

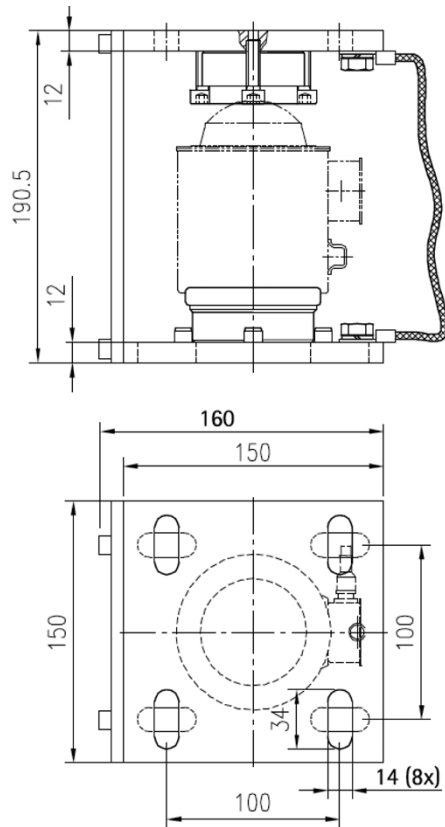
Parameters	PR 6124/xxD	PR 6124/xxP
Cable type	Data cable	Supply cable
Cable diameter	5.8 mm	5.2 mm
Cable inductance	A/C: 0.5 $\mu$ H/km A/A: 0.7 $\mu$ H/km	/
Bending radius	Fixed installation: 30 mm Repeated bending: 70 mm	Fixed installation: 25 mm Repeated bending: 60 mm
Cable capacity	A/C: <110 pF/m A/A: <60 pF/m	/
Conductivity resistance	$\leq 57 \Omega$ /km	/
Temperature range for operation and storage	Operation: -30°C to +90 °C Storage: -40 °C to +90 °C Short term up to +125°C	Operation: -30°C to +90 °C Storage: -40 °C to +90 °C Short term up to +125°C
Test voltage	A/C: 800 V A/A: 1,200 V VDE 0472 part 509 test type B	/
Resistance to oil	VDE 0472 part 803	VDE 0472 part 803
Resistance to flames	EN 60332 1-2	EN 60332 1-2

## Technical diagrams

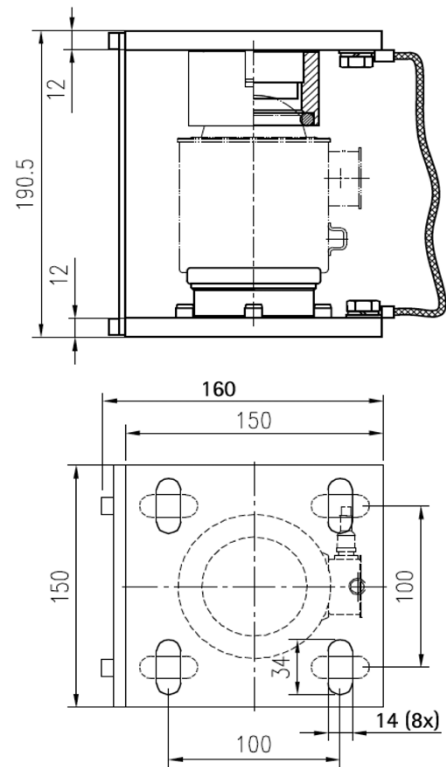
### Load cell Pendeo® Truck PR 6224



## Mounting kits PR 6021

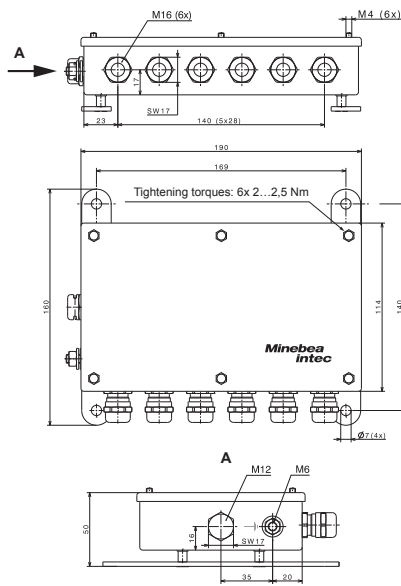


PR 6021/01N, ..../03N

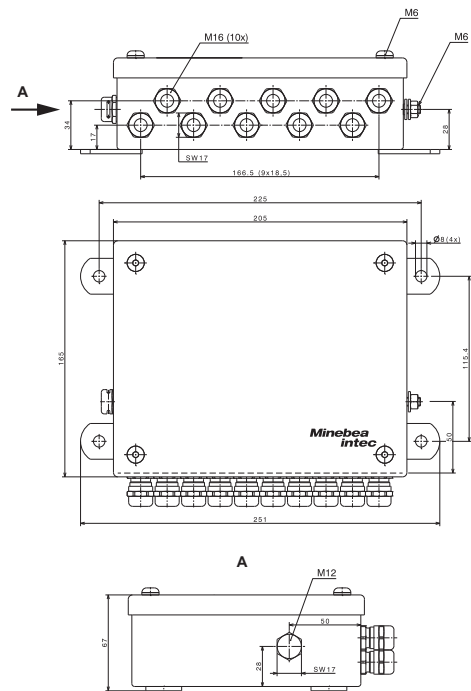


PR 6021/05N, ..../07N

## Cable junction box PR 6024

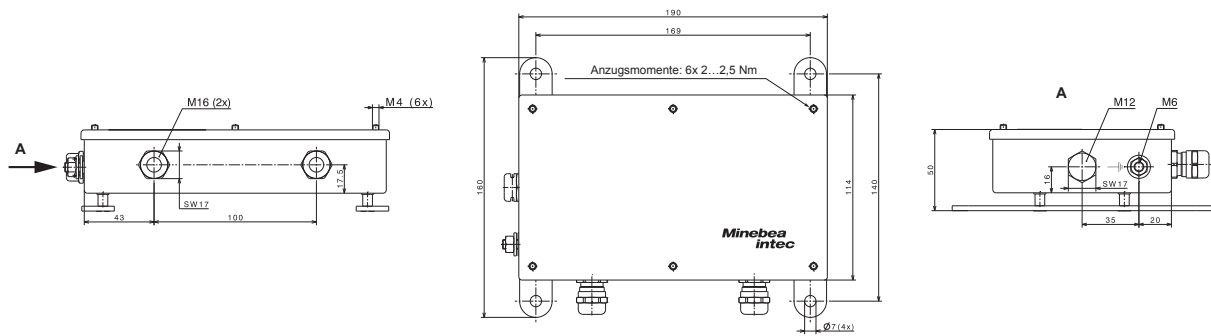


Cable junction box PR 6024/64S



Cable junction box PR 6024/68S

## PR 6024/62S power supply unit



All dimensions in mm

## Ex approval

### Scope of validity:

PR 6224/PR 6024



Explosion protection

## Load cell Pendeo® Truck certificates

Zone	Marking	Certificate number	For
2	II 3G Ex nA IIC T5 Gc	Manufacturer's declaration	All PR 6224/xx PR 6024/6x
22	II 3D Ex tc IIIC T90 °C Dc		

## Ordering information

Load cell Pendeo® Truck  
OIML R60, accuracy class C3= 0.015%, C6= 0.008%

Type	Order number
PR 6224/25t C3	940522403325
PR 6224/25t C6	940522406325
PR 6224/50t C3	940522403350
PR 6224/50t C6	940522406350

## Mounting kits

Type	Order number
PR 6021/00N	940536021001
PR 6021/01N	940536021011
PR 6021/02N	940536021021
PR 6021/03N	940536021031
PR 6021/04N	940536021041
PR 6021/05N	940536021051
PR 6021/06N	940536021061
PR 6021/07N	940536021071

## Cable junction box, power supply

Type	Order number
PR 6024/68S	940536024684
PR 6024/64S	940536024644
PR 6024/62S	940536024624

## Ordering information

Data and electrical supply cable	
Type	Order number
PR 6124/01D (1 m)	940536124013
PR 6124/01P (1 m)	940536124014
PR 6124/31D (30 m)	940536124313
PR 6124/ 31P (30 m)	940536124314
PR 6124/51D (50 m)	940536124513
PR 6124/51P (50 m)	940536124514
PR 6124/12D (100 m)	940536124123
PR 6124/12P (100 m)	940536124124
PR 6124/15D (150 m)	940536124153
PR 6124/15P (150 m)	940536124154
PR 6124/22P (200 m)	940536124224

The products and solutions presented in this data sheet make major contributions in the following sectors:



Food and beverages



Agribusiness



Building materials

The technical data given serves as a product description only and should not be understood as guaranteed properties in the legal sense.

Specifications subject to change without notice.  
Rev. 12/2018

Minebea Intec GmbH  
Meiendorfer Strasse 205 A  
22145 Hamburg, Germany  
Phone +49.40.67960.303  
sales.hh@minebea-intec.com  
www.minebea-intec.com